

TRIFORM-BD

Sheet Hydroforming

**Press Model
2448-5BD**

The New BD-Series Triform Sheet Hydroform Press

The new Triform-BD series hydroform press is a Bladder Only or Blow Down only hydroform system. Designed with simplicity and performance in mind, the economical BD-series presses are ideal for any hydroforming application where a deep draw is not required. The same high performance bladder technology found on the deep draw Triform models is coupled with an affordable design to offer true hydroforming capabilities at traditional pad press prices.

Why Triform-BD?

The Triform family of presses was developed by Pryer Technology Group (PTG). The founders of PTG are highly experienced engineers and manufacturing professionals with backgrounds in the aerospace and machine tool industries. In addition to the development of the CNC controlled Deep Draw Triform systems, it was evident that there still was a need for a simple, less sophisticated and more economical solution for shallow hydroformed parts. With a continued emphasis on compact technology and modernization, the Triform-BD series provides the benefits of sheet hydroforming in a simplified and cost efficient package.

How is the Triform Unique?

Building on the success of the Triform Deep Draw systems, the BD series is engineered to significantly reduce the press size without sacrificing integrity or durability. The 2,570 ton press requires no special flooring or ceiling height requirements which eliminates the need for expensive pits and foundations. It is highly portable and installs in a matter of hours at any facility. The Triform-BD series is equipped with the latest in hydraulic and control technology and is standard with applicable guarding.



**2,570 ton Triform-BD
Model 2448-5BD**

Hydropress Features and Benefits

- Forming with uniform pressure
- High pressure bladder containment system outperforms Guerin Box or Pad Presses and allows for the production of complex shapes for tight tolerance Net Shape parts
- Single Tool Technology
- Compact and lightweight design allows for portability and flush floor operation
- Easy setup and quick installation
- Value Engineered
- Designed for low maintenance and durability
- Programmable pressure control of the forming bladder
- Low tooling costs and greater flexibility with processes and part design
- High speed cycle times
- Low cost easily replaceable bladders

View us on the web at:

www.hydroformingpress.com

Triform 2448-5BD Press Specifications

Capabilities:	2,570 Ton
Max. Chamber Pressure	5,000 psi (34.5 MPa)
Bladder	24" x 48" (610 mm x 1219 mm)
Form Tool Clearance	6" (152 mm)
Daylight	7 7/8" (200 mm)

System Dimensions:	
Overall System Length	70" (178 cm)
Overall System Width	110" (279 cm)
Overall System Height	90" (229 cm)
Floor Space Required	140" x 106" (356 x 269 cm)
Total System Weight	44,000 lbs. (19,958 kg)

Control System:	
CNC/PLC	Allen Bradley
Electrical By	Allen Bradley
Touchscreen Interface	AB PanelView (Color)

Power System:	
Main Motor Horsepower	30 HP
Pump Manufacturer	Oil Gear
Working Fluid	ISO 46 W
Heat Exchanger	Included
Temp/Level Sight Gauge	Included
Main Power	480/230V
Phase	3 Phase
Hz	60 Hz
Control System Voltage	110V
FLA Draw	35/75 Amps
Alternative Power Configurations Available	

Other Triform Hydroform Press Models

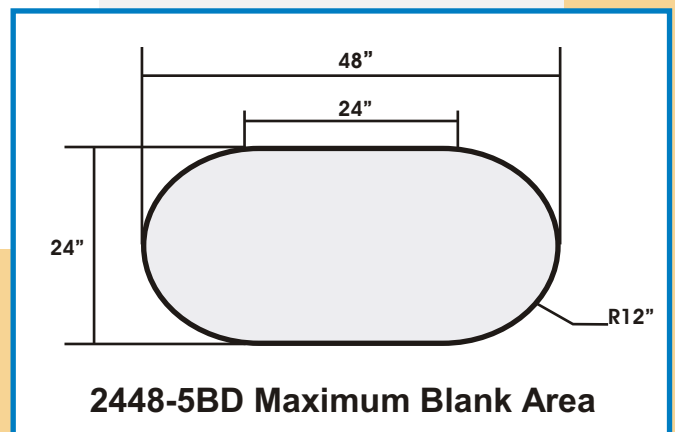
Triform Hydroforming Technology is available in many standard sizes at various forming pressures. These systems include bladder only models and deep draw punch models with CNC controls.

Triform Presses can also be designed to meet specific customer requirements, consult your sales professional for one designed to your specifications.

Simplified Control

The hydroform press is programmable and designed for simple operation by any user. The touch screen control offers:

- Programmed Bladder Pressure
- System Diagnostics
- Alarm Handling and Logging
- Multi-level password protection
- PLC Input / Output visualization
- Batch Counter
- Average Cycle Timer



2230 N. Sheridan | Tulsa, OK 74115, USA
www.pryertechgroup.com | 918-740-0111